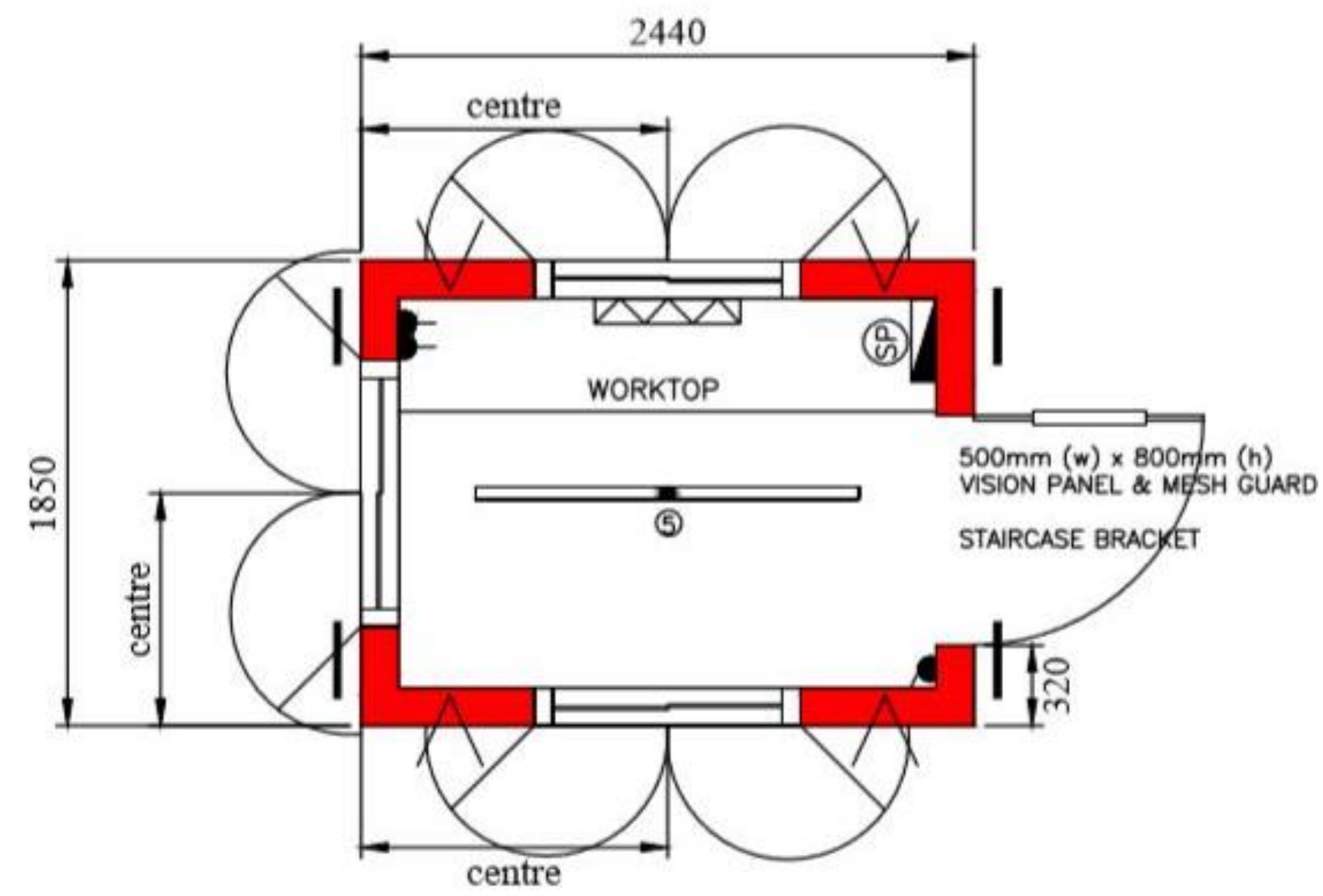
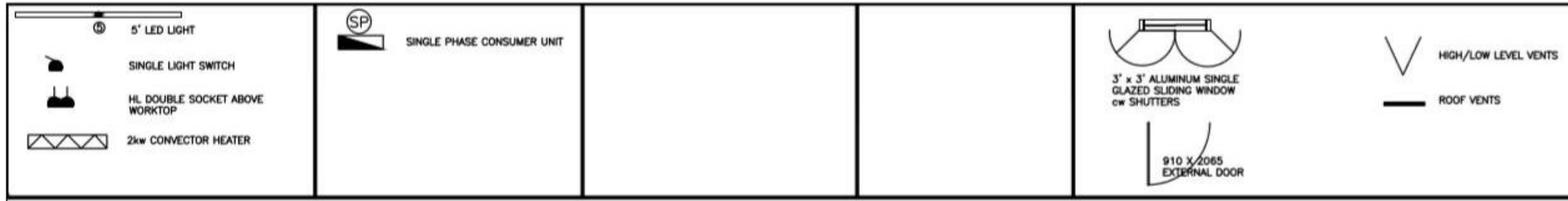


This drawing is for illustration purposes only and may differ slightly from the building provided



LCS MODULAR BUILDINGS

Drawn By; WLM

Project Name

Gatehouse

Client;

LCS Containers
 Lichfield Road
 Brantson
 Lichfield
 DE14 3HD
 01283 204 729
 Info@LCSmodularbuildings.co.uk

Date;

Drawing No: LCS

Fittings	Yes	No	General Specifications:	Amendments/Additions to Specifications:	+/- 5mm TOLERANCE			
Fork pockets:		X	Wall boards: SWANSDOWN					
Wiring System: 6242YH to BS 6004			Flooring: POLYFLOOR- GREY					
Checked and Signed			Cabin Profile:					
Customer:			Insulation: 50MM KNAUF SLAB		1	11.10.17	FIRST ISSUE	NP
Sales:			Kitchen:		Issue	Date	Amendments	Drawn
Production:			Drawing No: STACK - 9000		2440mm x 1850mm GATEHOUSE			
			Job No:					